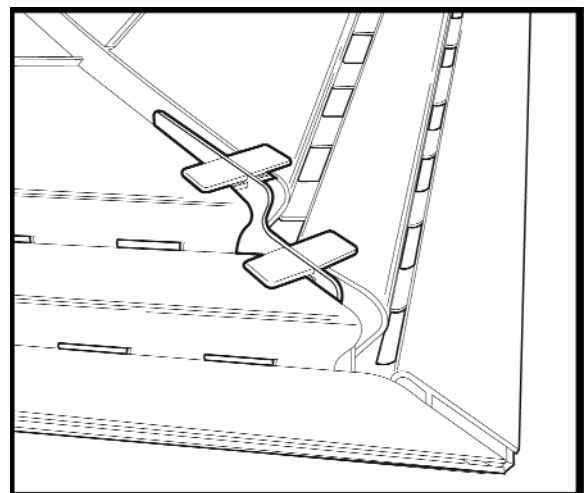
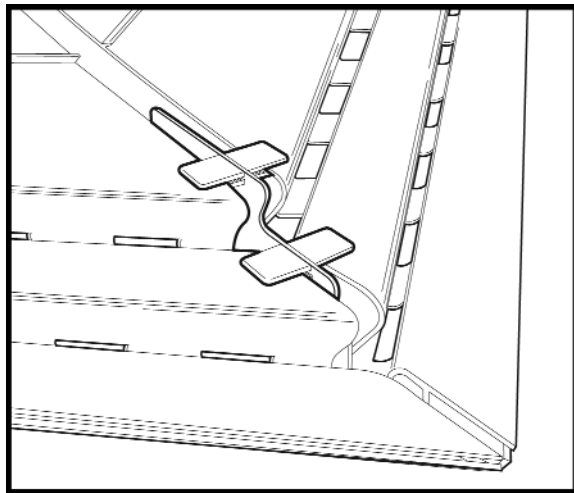


WATERFALL END CAP

The WaterFall end cap covers the gap between the gutter end cap and the WaterFall

Install end cap after WaterFall is installed on gutters. Slide end cap over WaterFall product as seen above. End cap should be installed inside of the gutter end cap. A screw or rivet placed thru the tab and it to WaterFall can be used to secure end cap if needed. Extra tabs can be trimmed off.

The end cap can also be used to join a miter cut at a corner. Slide the tabs over each piece of WaterFall.





WATERFALL 6" ADAPTER

The WaterFall Gutter Guard can be used with 6" gutters when installed with the 6" adapter.

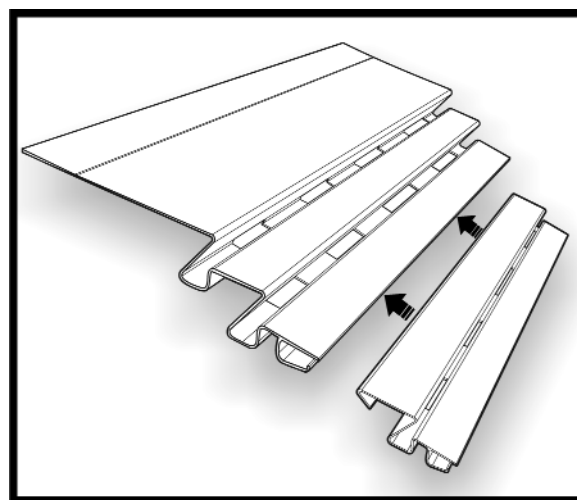
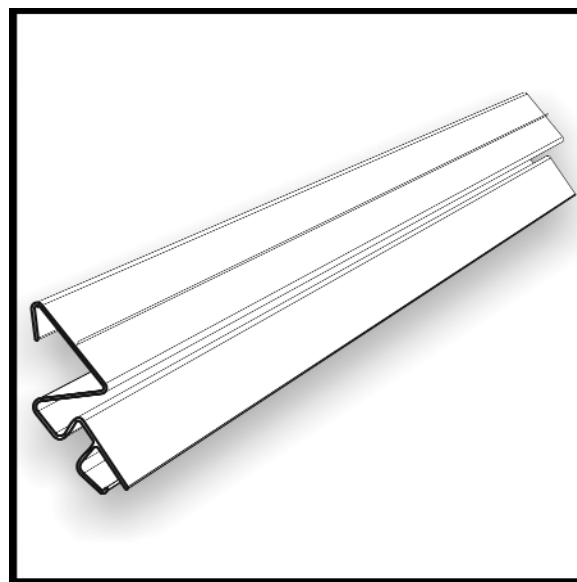
1. Snap the 6" adapter to the front edge of the 8' section of WaterFall.
2. Install WaterFall per installation instructions.

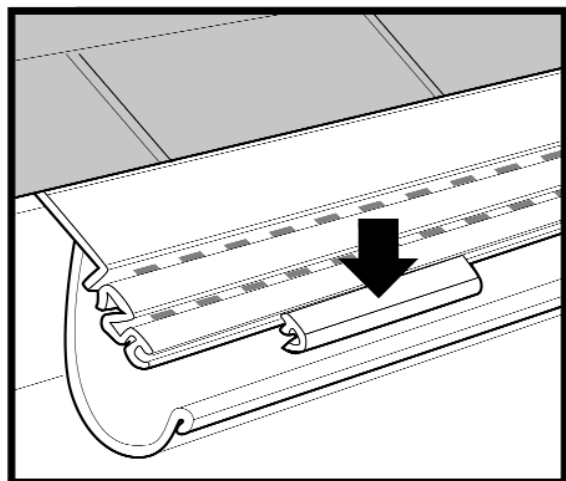
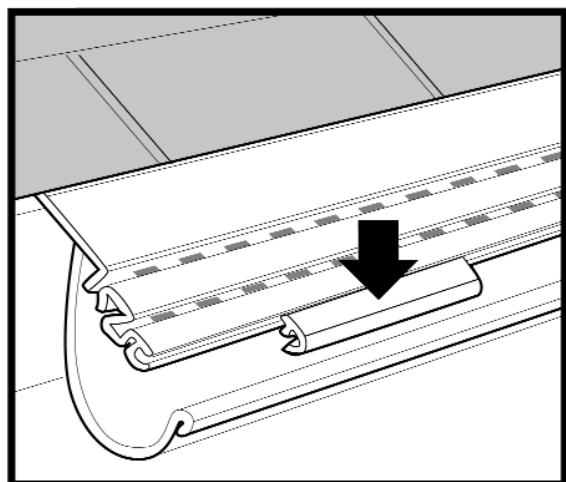
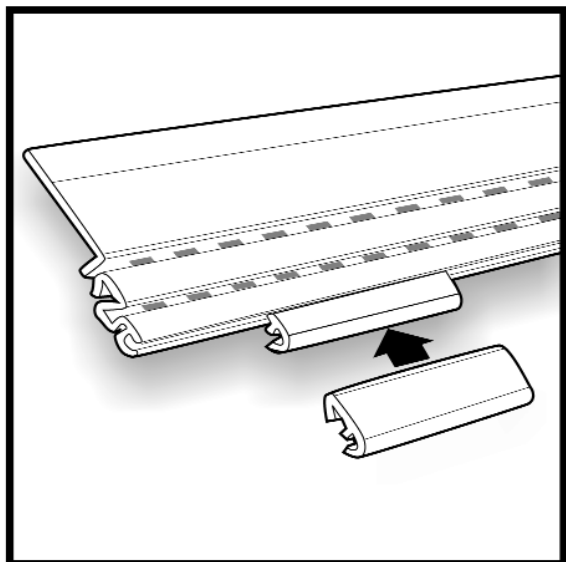
Packaging Information

Length: 8'

Packaging: 25 pieces per carton

Color: white and clay





HALF ROUND ADAPTER

The WaterFall Gutter Guard can be used with half round gutters when installed with the half round adapter.

1. Snap four (4) half round adapters into the front edge of each 8' section of WaterFall. Space approximately 2' apart.
2. Install WaterFall per manufacturer's instructions. The only difference is the way the half round adapter secures to the front of the gutter. Once WaterFall is in place under the shingles, snap the adapters directly onto the front bead of the half round gutter.
3. Once the first section is secured, slide the second section into place. Allow a minimum of 1/2" between the two sections for expansion and contraction. Use one adapter to connect the adjoining pieces of WaterFall.
4. Repeat this process throughout the rest of the installation.

Note: You may need to reposition the adapters left of right to avoid contact with the gutter hangers.

Packaging Information

Length: 6"

Packaging: 100 pieces per carton

Color: white and clay



INSTALLATION INSTRUCTIONS



1. To begin installing the WaterFall system, start at one end of a gutter. Take the top edge of the WaterFall (Fig. A) and slide it under the first row of shingles on the roof.

Note: it may be necessary to slide the top edge under the second row of shingles if the edge of the roof or nails are in the way.



2. Once the entire top edge is under the shingles, pull the front edge of the WaterFall system down so that it snaps onto the front edge of the gutter (Fig. B). To get a better hold on the WaterFall product, you may want to insert the claw end of a hammer into the lower channel of the WaterFall and then gently pull it forward and along the channel to secure the entire lineal section (Fig. C).

If you have difficulty in fitting the WaterFall over the front edge of the gutter, simply bend the gutter lip up slightly until the WaterFall fit is snug on the gutter (Fig. D). Leave approximately a 1" space between the end of the gutter and the end of the WaterFall system to allow for expansion and contractions due to temperature variation. Follow directions to properly install end caps at the end of the gutters.



3. Install the next lineal of the product using the same method as described in step #2. It is important to leave 1/2" space between each installed lineal to allow for product expansion and contraction. Next, snap a connector clip over the 1/2" space between each lineal (clip optional).
4. Repeat steps until the entire gutter length is covered by the WaterFall system.

5. To obtain the best inside or outside corner fit it is suggested you use a miter box. The WaterFall product should be cut while it is held in place at an angle that simulates the same angle it sits on the gutter. This is best accomplished by folding the top edge back at the flexible hinge so that the channeled surface is on an angle.

(Fig. E) The WaterFall can now be mitered to fit the desired corner by cutting through both the channels and top edge surfaces.

Note: The top edge may require additional trimming, depending on the exact angle desired. Also, it is good practice to install diverters at the bottom of long “valleys” created by two roof sections meeting at an inside corner.

There is no rule of thumb for this; simply it is a solution if water flow at valley is too much for WaterFall to handle. You may also choose to have that small portion of gutter uncovered to handle the increased water flow.

Note: The WaterFall end cap can also be used to join a miter cut at a corner. Slide the tabs over each piece of WaterFall.

Note: All installations should provide for a 35 to 40 degree pitch on the surface of the gutter guard. The following accessory items must be used for the following types of gutter:

- 1) 6" K-style gutter – 6" K adapter.
- 2) 5" Half round gutter – Half round gutter clips.

End Cap Installation

Depending on your geographical location, birds and small animals may find the gaps at the end of the gutter runs an attractive hiding and living places. The WaterFall end cap covers the gap between the gutter cap and the WaterFall (Fig. F). Install the end cap after WaterFall is installed. Slide the end cap over WaterFall product as shown (Fig. G). The end cap should be installed inside of the gutter end cap. A screw or rivet should be placed through the tab and into WaterFall to secure the end cap. If needed, the extra tabs can be trimmed off. If you wish to cap these areas, you can use the templates to create correctly fitted pieces.

